

128K x 8 Static RAM

Features

- **High speed**
 - $t_{AA} = 12 \text{ ns}$
- **Low active power**
 - 495 mW (max.)
- **Low CMOS standby power**
 - 11 mW (max.) (L Version)
- **2.0V Data Retention**
- **Automatic power-down when deselected**
- **TTL-compatible inputs and outputs**
- **Easy memory expansion with \overline{CE}_1 , \overline{CE}_2 , and \overline{OE} options**
- **CY7C109B is available in standard 400-mil-wide SOJ and 32-pin TSOP type I packages. The CY7C1009B is available in a 300-mil-wide SOJ package**

Functional Description^[1]

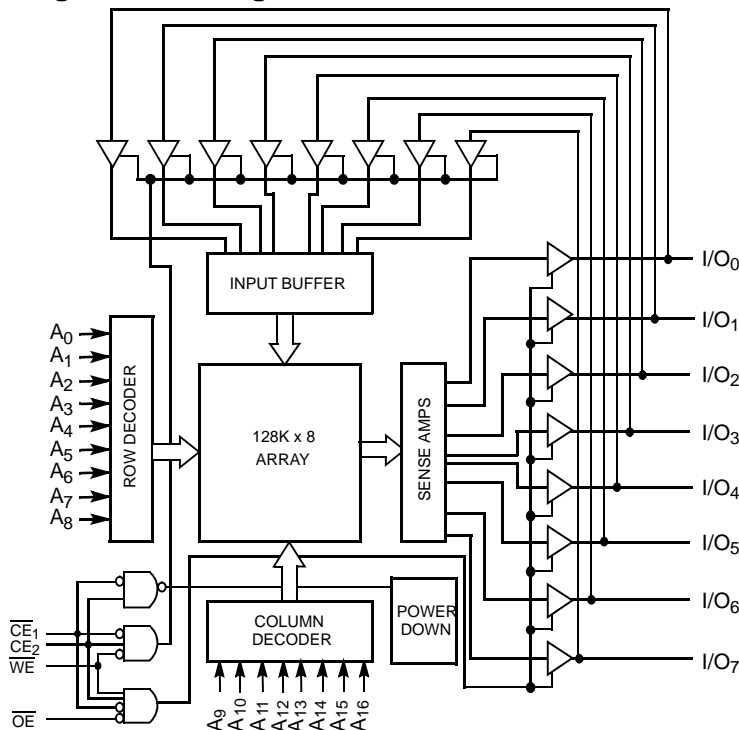
The CY7C109B/CY7C1009B is a high-performance CMOS static RAM organized as 131,072 words by 8 bits. Easy memory expansion is provided by an active LOW Chip Enable (\overline{CE}_1), an active HIGH Chip Enable (\overline{CE}_2), an active LOW Output Enable (\overline{OE}), and tri-state drivers. Writing to the device is accomplished by taking Chip Enable One (\overline{CE}_1) and Write Enable (\overline{WE}) inputs LOW and Chip Enable Two (\overline{CE}_2) input HIGH. Data on the eight I/O pins (I/O_0 through I/O_7) is then written into the location specified on the address pins (A_0 through A_{16}).

Reading from the device is accomplished by taking Chip Enable One (\overline{CE}_1) and Output Enable (\overline{OE}) LOW while forcing Write Enable (\overline{WE}) and Chip Enable Two (\overline{CE}_2) HIGH. Under these conditions, the contents of the memory location specified by the address pins will appear on the I/O pins.

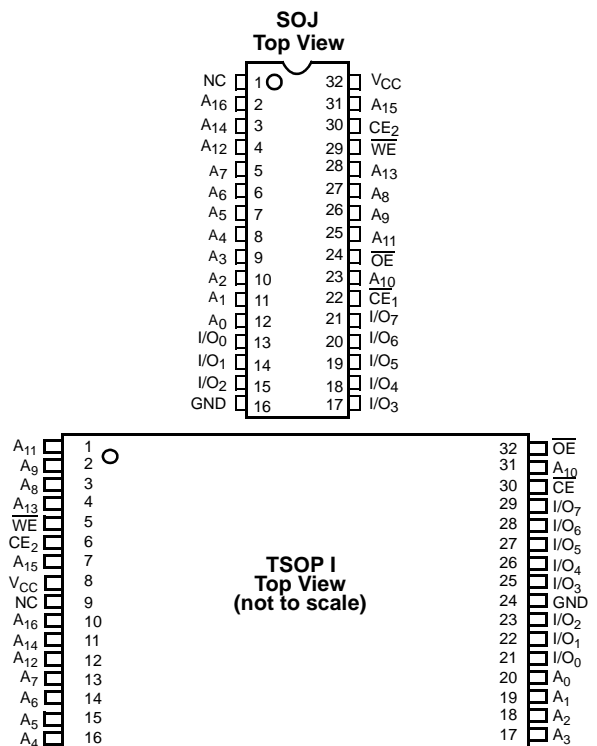
The eight input/output pins (I/O_0 through I/O_7) are placed in a high-impedance state when the device is deselected (\overline{CE}_1 HIGH or \overline{CE}_2 LOW), the outputs are disabled (\overline{OE} HIGH), or during a write operation (\overline{CE}_1 LOW, \overline{CE}_2 HIGH, and \overline{WE} LOW).

CY7C109B is available in standard 400-mil-wide SOJ and 32-pin TSOP type I packages. The CY7C1009B is available in a 300-mil-wide SOJ package. The CY7C109B and CY7C1009B are functionally equivalent in all other respects.

Logic Block Diagram



Pin Configurations^[2]



Note:

1. For guidelines on SRAM system design, please refer to the 'System Design Guidelines' Cypress application note, available on the internet at www.cypress.com.
2. NC pins are not connected on the die.

Selection Guide

	7C109B-12 7C1009B-12	7C109B-15 7C1009B-15	7C109B-20 7C1009B-20	Unit
Maximum Access Time	12	15	20	ns
Maximum Operating Current	90	80	75	mA
Maximum CMOS Standby Current	10	10	10	mA
Maximum CMOS Standby Current (L)		2		mA

Maximum Ratings

(Above which the useful life may be impaired. For user guidelines, not tested.)

Storage Temperature -65°C to +150°C

Ambient Temperature with

Power Applied..... -55°C to +125°C

Supply Voltage on V_{CC} to Relative GND^[3] -0.5V to +7.0V

DC Voltage Applied to Outputs

in High Z State^[3] -0.5V to V_{CC} + 0.5V

DC Input Voltage^[3]..... -0.5V to V_{CC} + 0.5V

Current into Outputs (LOW)..... 20 mA

Static Discharge Voltage..... >2001V
(per MIL-STD-883, Method 3015)

Latch-Up Current..... >200 mA

Operating Range

Range	Ambient Temperature	V_{CC}
Commercial	0°C to +70°C	5V ± 10%
Industrial	-40°C to +85°C	5V ± 10%

Electrical Characteristics Over the Operating Range

Parameter	Description	Test Conditions	7C109B-12 7C1009B-12		7C109B-15 7C1009B-15		7C109B-20 7C1009B-20		Unit
			Min.	Max.	Min.	Max.	Min.	Max.	
V _{OH}	Output HIGH Voltage	V _{CC} = Min., I _{OH} = -4.0 mA	2.4		2.4		2.4		V
V _{OL}	Output LOW Voltage	V _{CC} = Min., I _{OL} = 8.0 mA		0.4		0.4		0.4	V
V _{IH}	Input HIGH Voltage		2.2	V _{CC} + 0.3	2.2	V _{CC} + 0.3	2.2	V _{CC} + 0.3	V
V _{IL}	Input LOW Voltage ^[3]		-0.3	0.8	-0.3	0.8	-0.3	0.8	V
I _{IX}	Input Leakage Current	GND ≤ V _I ≤ V _{CC}	-1	+1	-1	+1	-1	+1	μA
I _{OZ}	Output Leakage Current	GND ≤ V _I ≤ V _{CC} , Output Disabled	-5	+5	-5	+5	-5	+5	μA
I _{CC}	V _{CC} Operating Supply Current	V _{CC} = Max., I _{OUT} = 0 mA, f = f _{MAX} = 1/t _{RC}		90		80		75	mA
I _{SB1}	Automatic CE Power-Down Current —TTL Inputs	Max. V _{CC} , CE ₁ ≥ V _{IH} or CE ₂ ≤ V _{IL} , V _{IN} ≥ V _{IH} or V _{IN} ≤ V _{IL} , f = f _{MAX}		45		40		30	mA
I _{SB2}	Automatic CE Power-Down Current —CMOS Inputs	Max. V _{CC} , CE ₁ ≥ V _{CC} - 0.3V, or CE ₂ ≤ 0.3V, V _{IN} ≥ V _{CC} - 0.3V, or V _{IN} ≤ 0.3V, f = 0		10		10		10	mA
			L				2		

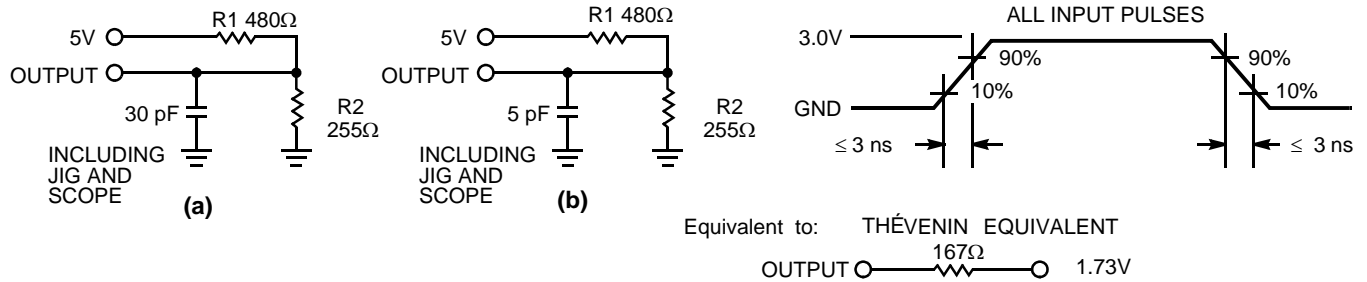
Capacitance^[4]

Parameter	Description	Test Conditions	Max.	Unit
C _{IN}	Input Capacitance	T _A = 25°C, f = 1 MHz, V _{CC} = 5.0V	9	pF
C _{OUT}	Output Capacitance		8	pF

Notes:

3. Minimum voltage is -2.0V for pulse durations of less than 20 ns.
4. Tested initially and after any design or process changes that may affect these parameters.

AC Test Loads and Waveforms



Switching Characteristics^[5]

Parameter	Description	7C109B-12 7C1009B-12		7C109B-15 7C1009B-15		7C109B-20 7C1009B-20		Unit
		Min.	Max.	Min.	Max.	Min.	Max.	
Read Cycle^[8]								
t_{RC}	Read Cycle Time	12		15		20		ns
t_{AA}	Address to Data Valid		12		15		20	ns
t_{OHA}	Data Hold from Address Change	3		3		3		ns
t_{ACE}	\overline{CE}_1 LOW to Data Valid, CE_2 HIGH to Data Valid		12		15		20	ns
t_{DOE}	\overline{OE} LOW to Data Valid		6		7		8	ns
t_{LZOE}	\overline{OE} LOW to Low Z	0		0		0		ns
t_{HZOE}	\overline{OE} HIGH to High Z ^[6, 7]		6		7		8	ns
t_{LZCE}	\overline{CE}_1 LOW to Low Z, CE_2 HIGH to Low Z ^[7]	3		3		3		ns
t_{HZCE}	\overline{CE}_1 HIGH to High Z, CE_2 LOW to High Z ^[6, 7]		6		7		8	ns
t_{PU}	\overline{CE}_1 LOW to Power-Up, CE_2 HIGH to Power-Up	0		0		0		ns
t_{PD}	\overline{CE}_1 HIGH to Power-Down, CE_2 LOW to Power-Down		12		15		20	ns
Write Cycle^[8]								
t_{WC}	Write Cycle Time ^[9]	12		15		20		ns
t_{SCE}	\overline{CE}_1 LOW to Write End, CE_2 HIGH to Write End	10		12		15		ns
t_{AW}	Address Set-Up to Write End	10		12		15		ns
t_{HA}	Address Hold from Write End	0		0		0		ns
t_{SA}	Address Set-Up to Write Start	0		0		0		ns
t_{PWE}	\overline{WE} Pulse Width	10		12		12		ns
t_{SD}	Data Set-Up to Write End	7		8		10		ns
t_{HD}	Data Hold from Write End	0		0		0		ns
t_{LZWE}	\overline{WE} HIGH to Low Z ^[7]	3		3		3		ns
t_{HZWE}	\overline{WE} LOW to High Z ^[6, 7]		6		7		8	ns

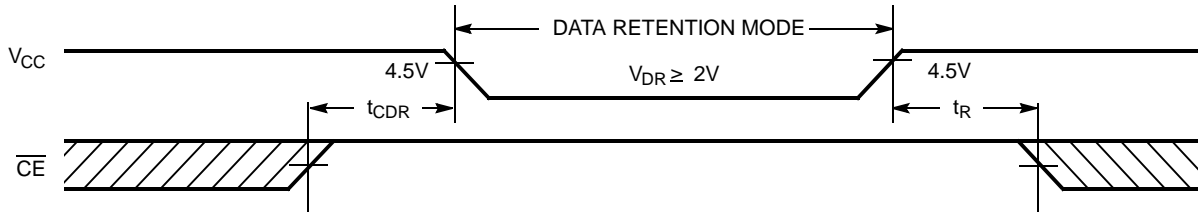
Notes:

- Test conditions assume signal transition time of 3 ns or less, timing reference levels of 1.5V, input pulse levels of 0 to 3.0V, and output loading of the specified I_{OL}/I_{OH} and 30-pF load capacitance.
- t_{HZOE} , t_{HZCE} , and t_{HZWE} are specified with a load capacitance of 5 pF as in part (b) of AC Test Loads. Transition is measured ± 500 mV from steady-state voltage.
- At any given temperature and voltage condition, t_{HZCE} is less than t_{LZCE} , t_{HZOE} is less than t_{LZOE} , and t_{HZWE} is less than t_{LZWE} for any given device.
- The internal write time of the memory is defined by the overlap of \overline{CE}_1 LOW, CE_2 HIGH, and \overline{WE} LOW. \overline{CE}_1 and \overline{WE} must be LOW and CE_2 HIGH to initiate a write, and the transition of any of these signals can terminate the write. The input data set-up and hold timing should be referenced to the leading edge of the signal that terminates the write.
- The minimum write cycle time for Write Cycle No. 3 (\overline{WE} controlled, \overline{OE} LOW) is the sum of t_{HZWE} and t_{SD} .

Data Retention Characteristics Over the Operating Range (Low Power version only)

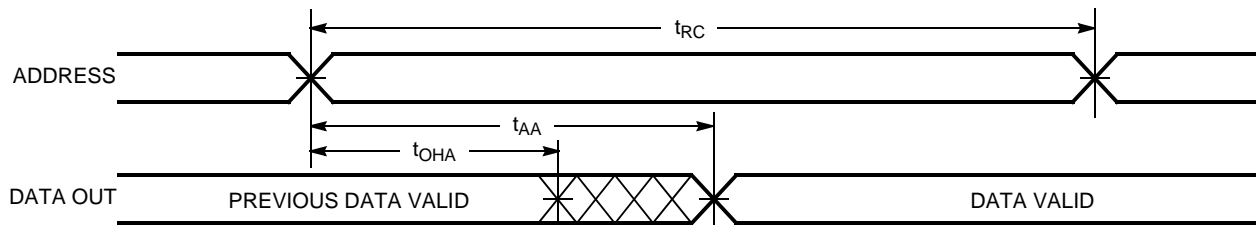
Parameter	Description	Conditions	Min.	Max.	Unit
V_{DR}	V_{CC} for Data Retention	No input may exceed $V_{CC} + 0.5V$ $V_{CC} = V_{DR} = 2.0V$, $CE_1 \geq V_{CC} - 0.3V$ or $CE_2 \leq 0.3V$, $V_{IN} \geq V_{CC} - 0.3V$ or $V_{IN} \leq 0.3V$	2.0		V
I_{CCDR}	Data Retention Current			150	μA
t_{CDR}	Chip Deselect to Data Retention Time		0		ns
t_R	Operation Recovery Time		200		μs

Data Retention Waveform

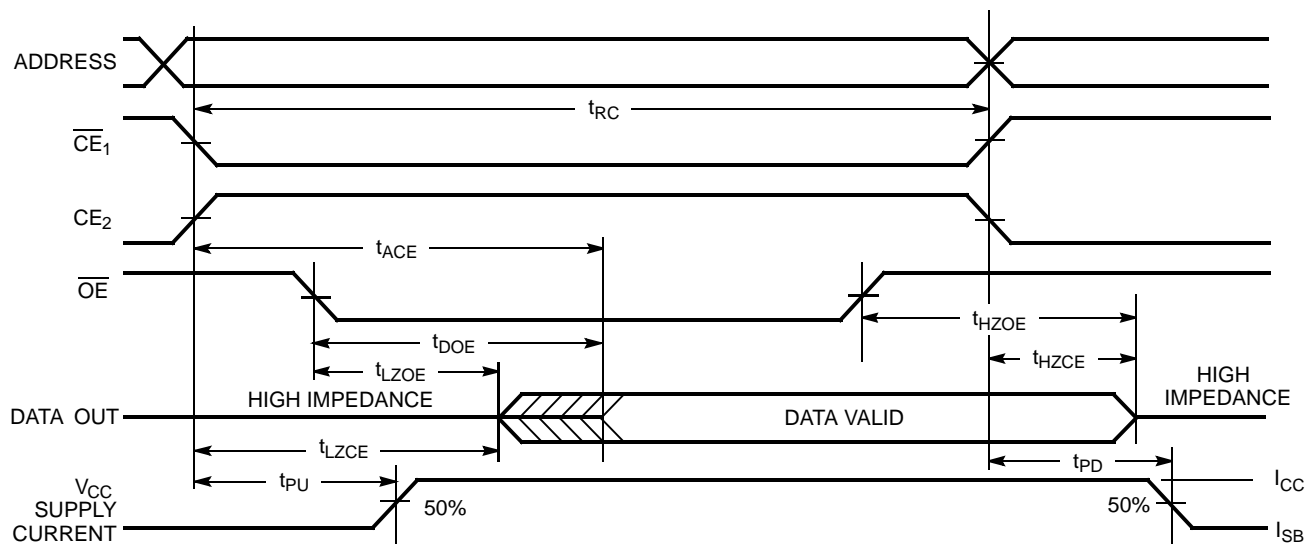


Switching Waveforms

Read Cycle No. 1 [10, 11]



Read Cycle No. 2 (OE Controlled) [11, 12]

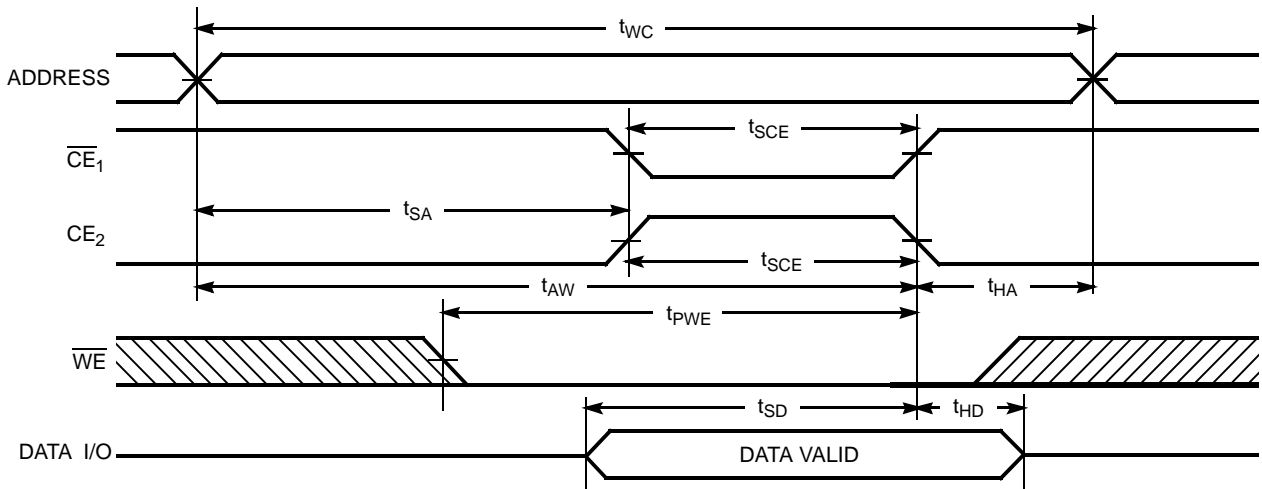


Notes:

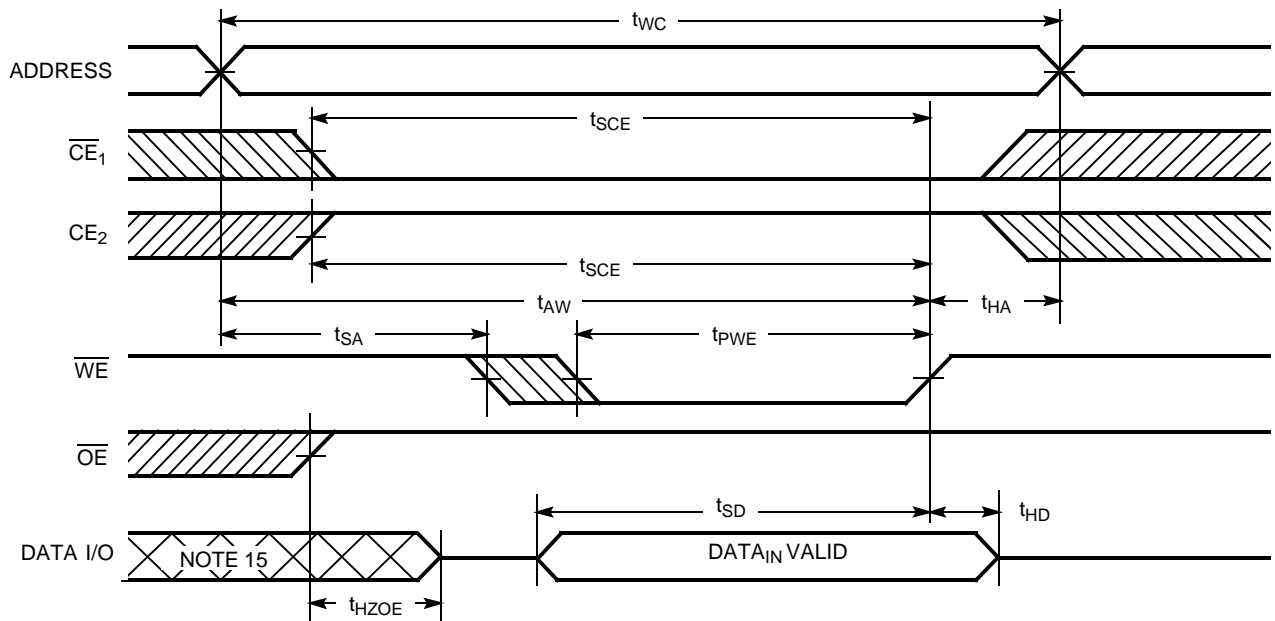
- 10. Device is continuously selected. \overline{OE} , $\overline{CE}_1 = V_{IL}$, $CE_2 = V_{IH}$.
- 11. WE is HIGH for read cycle.
- 12. Address valid prior to or coincident with \overline{CE}_1 transition LOW and CE_2 transition HIGH.

Switching Waveforms (continued)

Write Cycle No. 1 (\overline{CE}_1 or CE_2 Controlled)^[13, 14]



Write Cycle No. 2 (\overline{WE} Controlled, \overline{OE} HIGH During Write)^[13, 14]

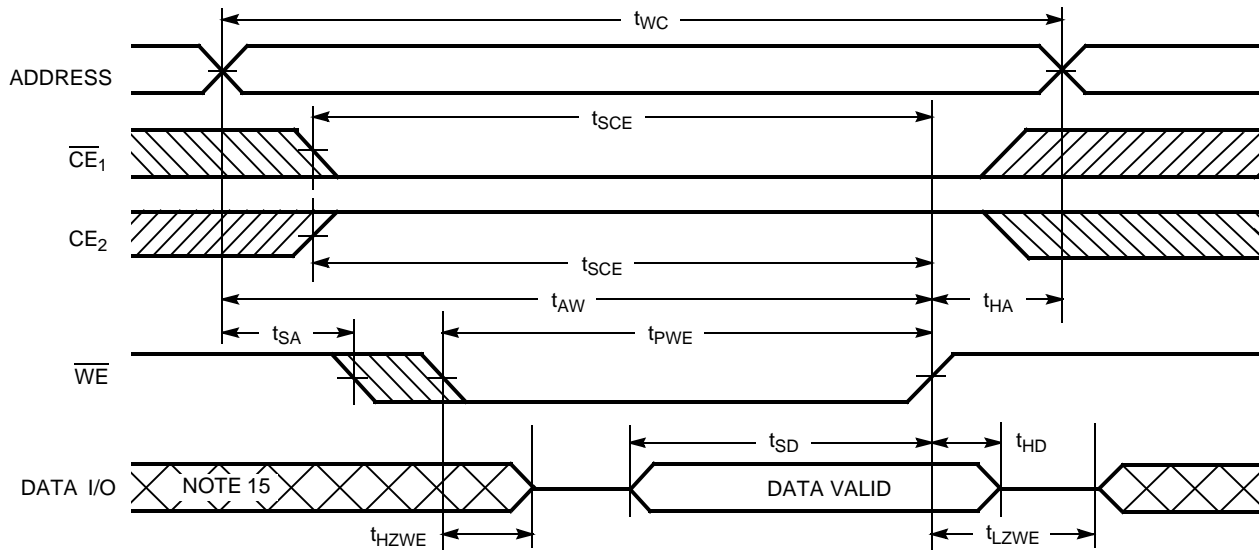


Notes:

- 13. Data I/O is high impedance if $\overline{OE} = V_{IH}$.
- 14. If \overline{CE}_1 goes HIGH or CE_2 goes LOW simultaneously with \overline{WE} going HIGH, the output remains in a high-impedance state.
- 15. During this period the I/Os are in the output state and input signals should not be applied.

Switching Waveforms (continued)

Write Cycle No. 3 ($\overline{\text{WE}}$ Controlled, $\overline{\text{OE}}$ LOW)^[14]



Truth Table

$\overline{\text{CE}}_1$	$\overline{\text{CE}}_2$	$\overline{\text{OE}}$	$\overline{\text{WE}}$	I/O ₀ -I/O ₇	Mode	Power
H	X	X	X	High Z	Power-Down	Standby (I_{SB})
X	L	X	X	High Z	Power-Down	Standby (I_{SB})
L	H	L	H	Data Out	Read	Active (I_{CC})
L	H	X	L	Data In	Write	Active (I_{CC})
L	H	H	H	High Z	Selected, Outputs Disabled	Active (I_{CC})

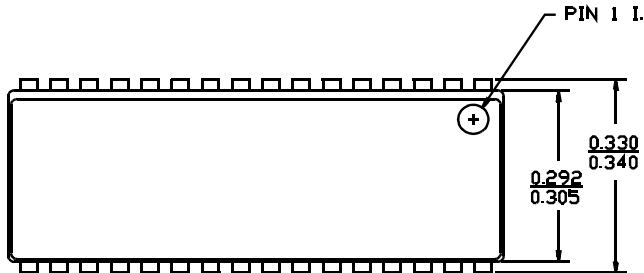
Ordering Information

Speed (ns)	Ordering Code	Package Diagram	Package Type	Operating Range	
12	CY7C109B-12VC	51-85033	32-pin (400-Mil) Molded SOJ	Commercial	
	CY7C1009B-12VC	51-85041	32-pin (300-Mil) Molded SOJ		
	CY7C109B-12ZC	51-85056	32-pin TSOP Type I		
	CY7C109B-12ZX		32-pin TSOP Type I (Pb-Free)		
15	CY7C109BL-15VC	51-85033	32-pin (400-Mil) Molded SOJ	Commercial	
	CY7C109B-15VC		32-pin (400-Mil) Molded SOJ		
	CY7C109B-15VXC		32-pin (400-Mil) Molded SOJ (Pb-Free)		
	CY7C1009B-15VC	51-85041	32-pin (300-Mil) Molded SOJ		
	CY7C1009B-15VXC		32-pin (300-Mil) Molded SOJ (Pb-Free)		
	CY7C109B-15ZC	51-85056	32-pin TSOP Type I		
	CY7C109B-15ZX		32-pin TSOP Type I (Pb-Free)		
	15	CY7C109B-15VI	51-85033	32-pin (400-Mil) Molded SOJ	Industrial
		CY7C1009B-15VI	51-85041	32-pin (300-Mil) Molded SOJ	
	20	CY7C109B-20ZC	51-85056	32-pin TSOP Type I	Commercial
CY7C1009B-20VC		51-85041	32-pin (300-Mil) Molded SOJ		
CY7C109B-20VI		51-85033	32-pin (400-Mil) Molded SOJ	Industrial	

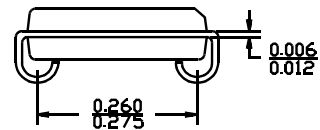
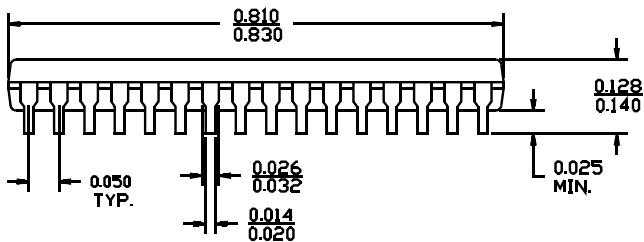
Please contact local sales representative regarding availability of parts

Package Diagrams

32-pin (300-Mil) Molded (51-85041)



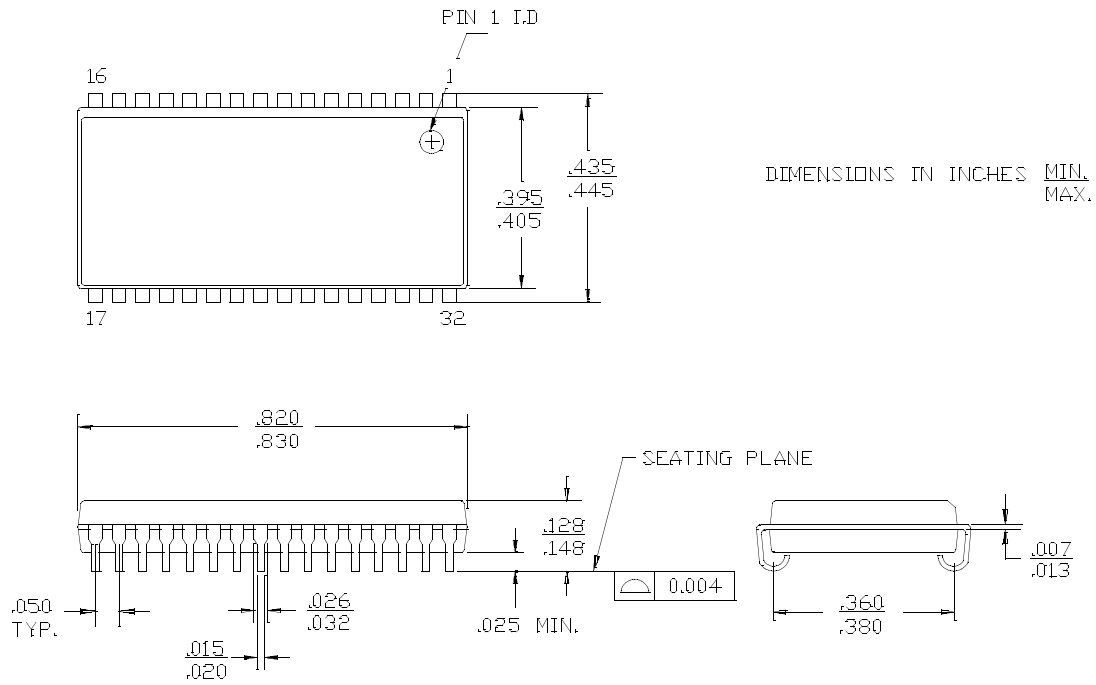
DIMENSIONS IN INCHES MIN.
MAX.
LEAD COPLANARITY 0.004 MAX.



51-85041-A

Package Diagrams (continued)

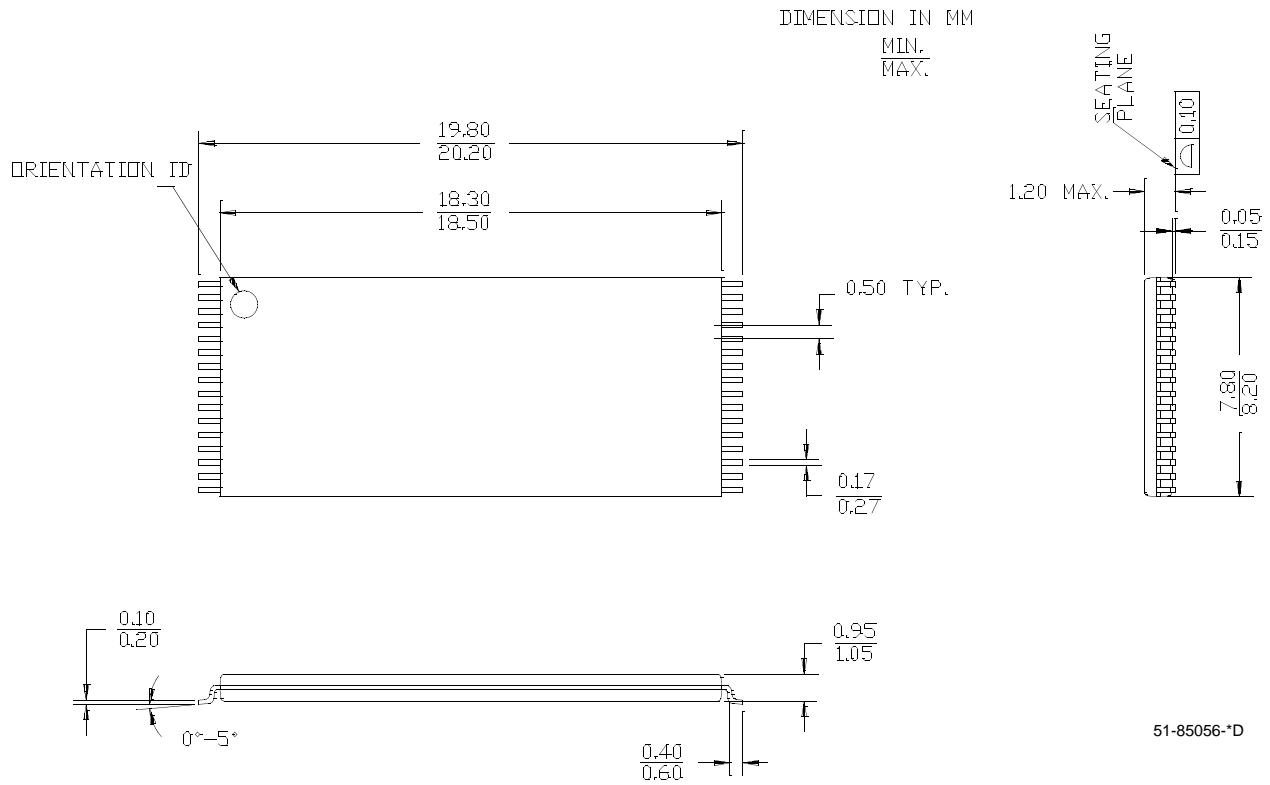
32-pin (400-Mil) Molded SOJ (51-85033)



51-85033-B

Package Diagrams (continued)

32-pin TSOP Type I (8 x 20 mm) (51-85056)



All product and company names mentioned in this document may be the trademarks of their respective holders

Document History Page

Document Title: CY7C109B/CY7C1009B 128K x 8 Static RAM				
Document Number: 38-05038				
REV.	ECN NO.	Issue Date	Orig. of Change	Description of Change
**	106832	09/22/01	SZV	Change from Spec number: 38-00971 to 38-05038
*A	116467	09/16/02	CEA	Added applications foot note to data sheet, page 1
*B	397875	See ECN	NXR	Changed address of Cypress Semiconductor Corporation on Page# 1 from "3901 North First Street" to "198 Champion Court" Updated the Ordering Information Table on page 7
*C	493543	See ECN	NXR	Removed 25 ns and 35 ns speed bin from product offering Added note# 2 on page# 1 Changed the description of I _{IX} from Input Load Current to Input Leakage Current in DC Electrical Characteristics table Removed I _{OS} parameter from DC Electrical Characteristics table Updated the Ordering Information Table